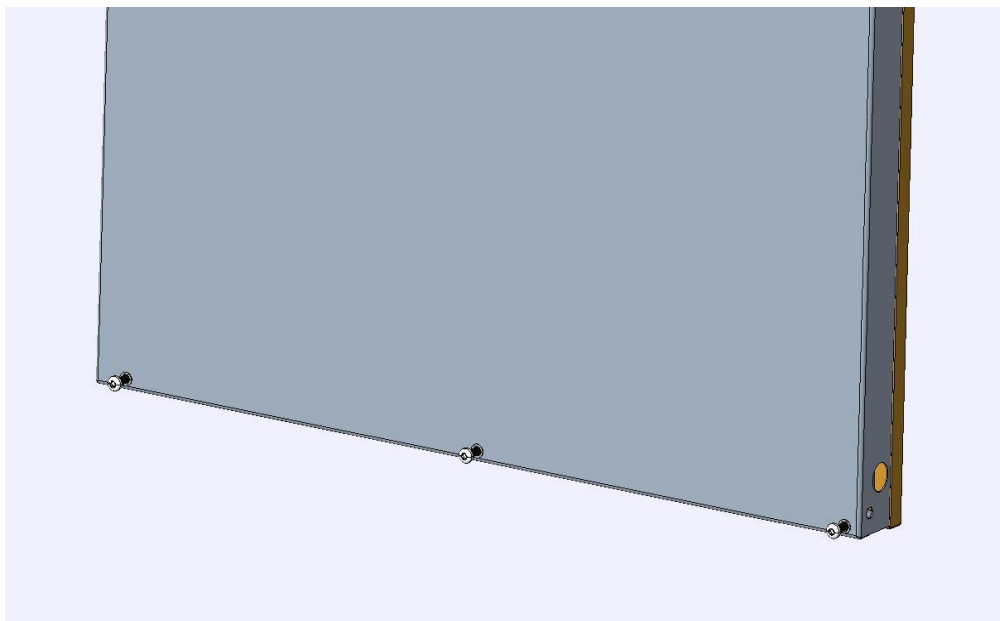
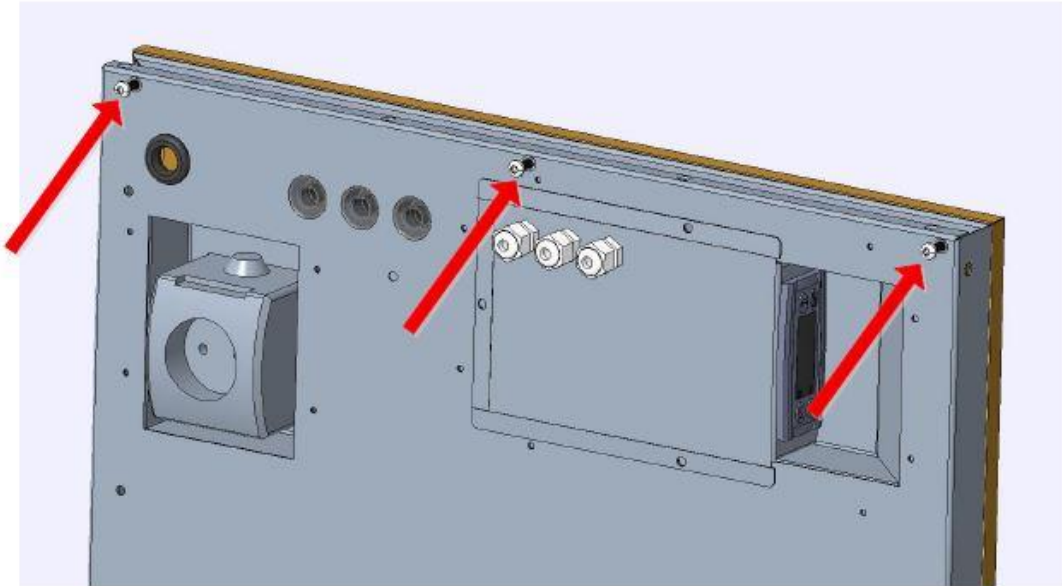
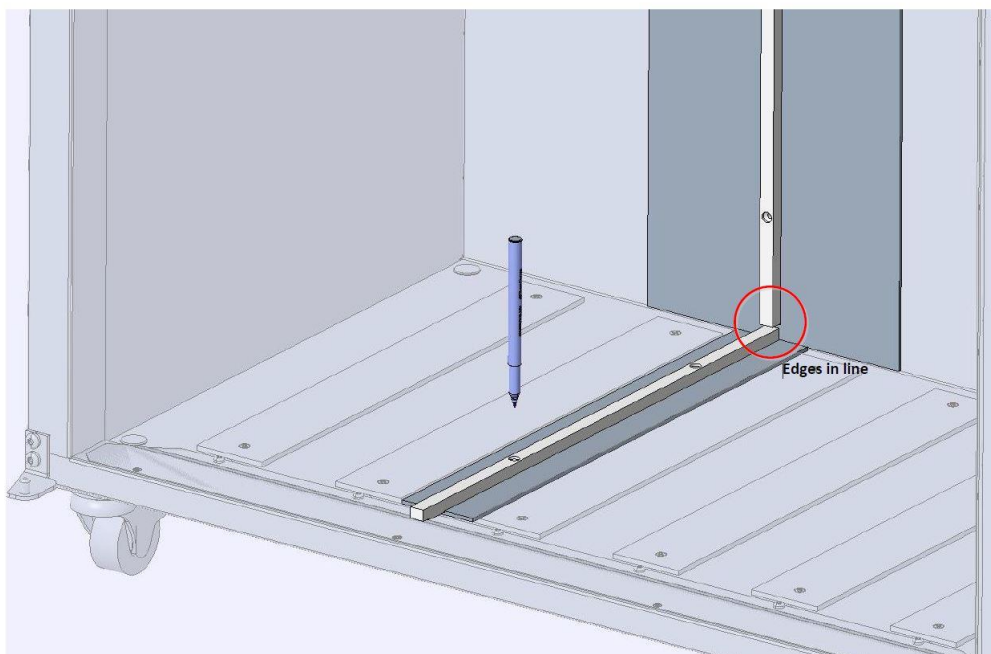
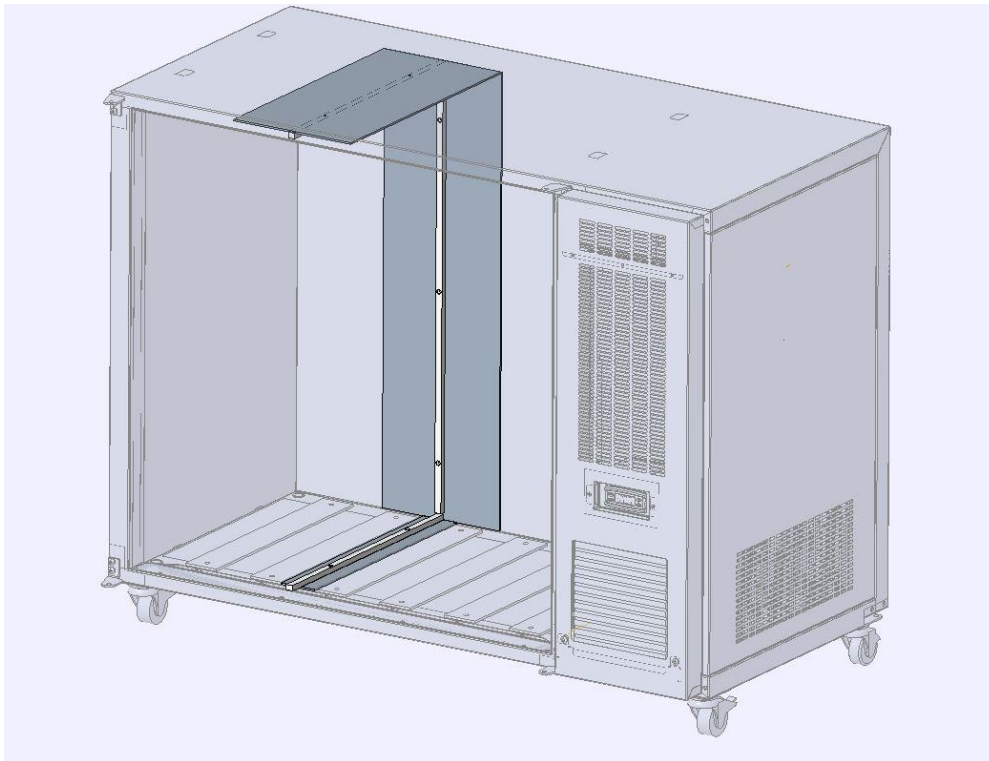


## WALL MOUNT INSTRUCTIONS

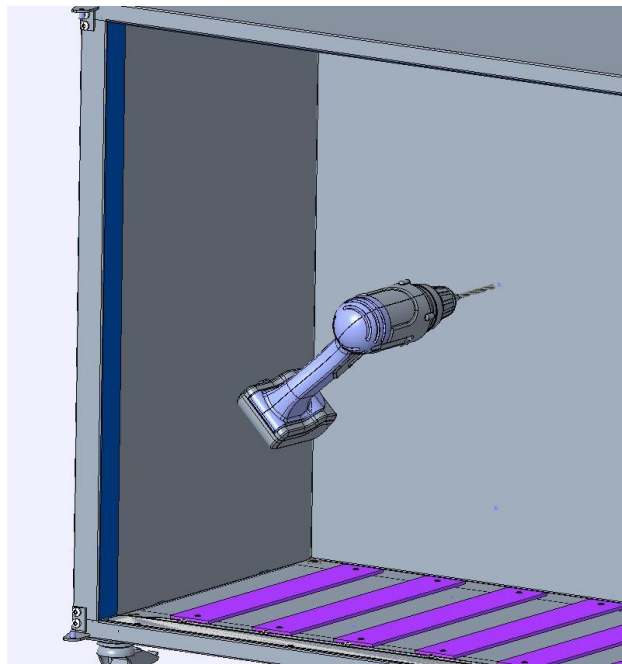
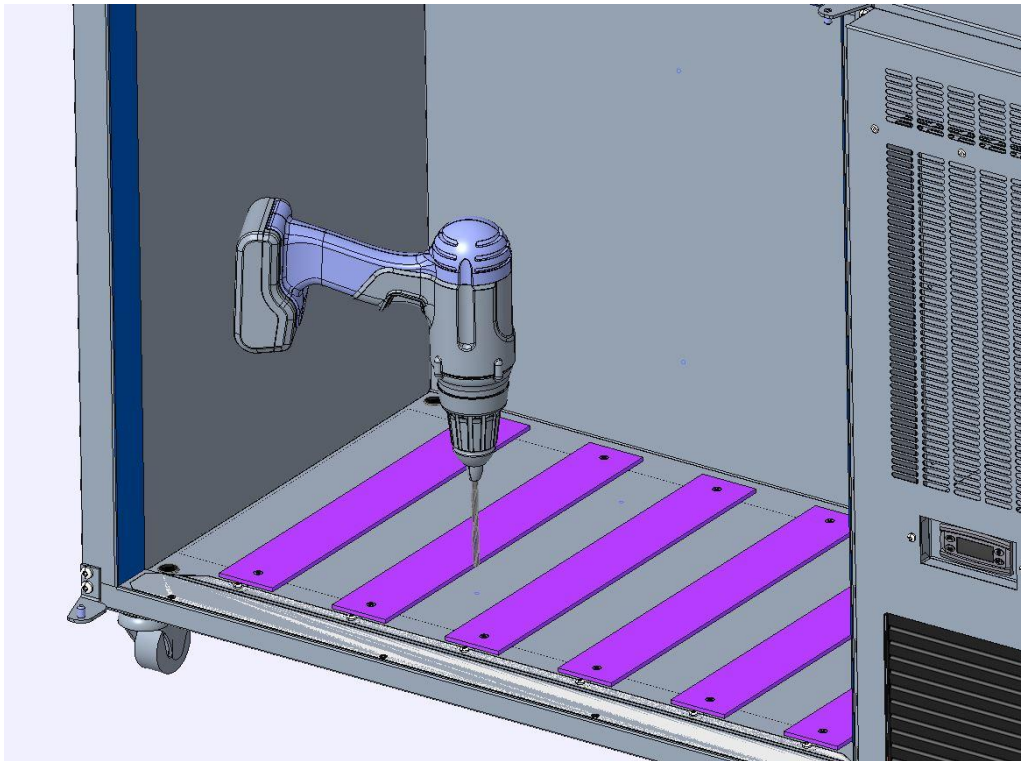
### 1. Unscrew up and bottom wall fixing screws

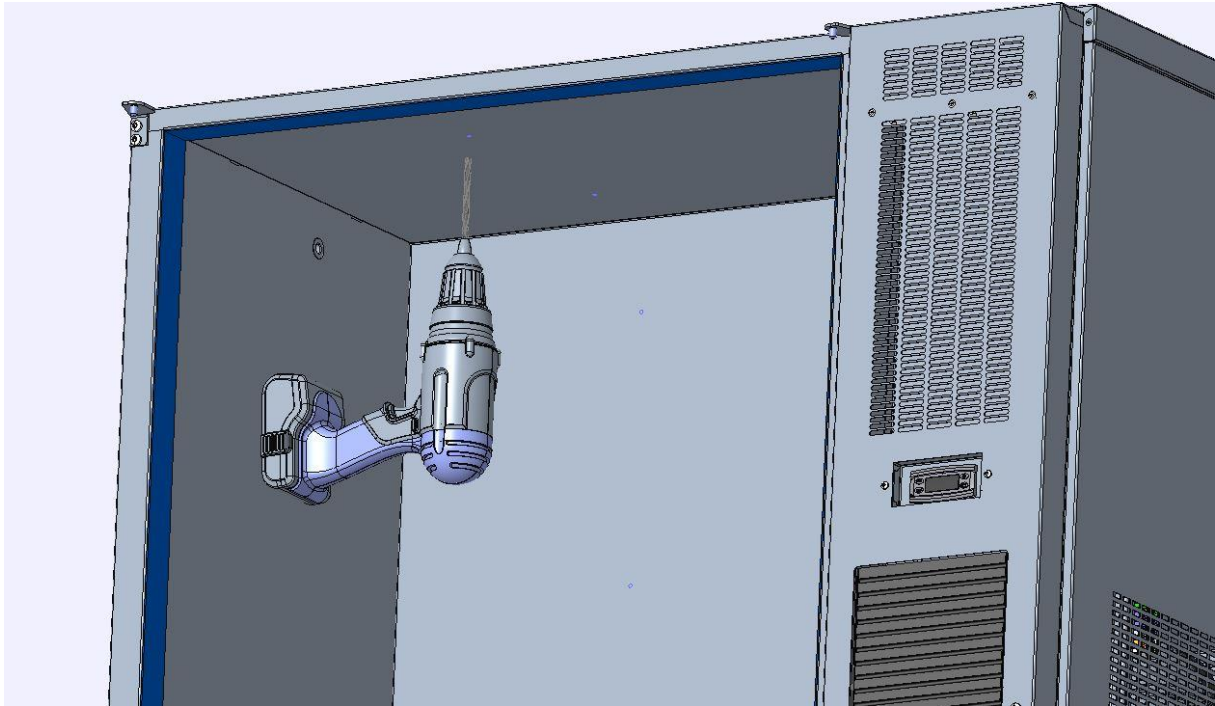


2. Place PVC inserts inside KEG cabinet and mark drilling holes. White rods of bottom front and up insert has to be inline.

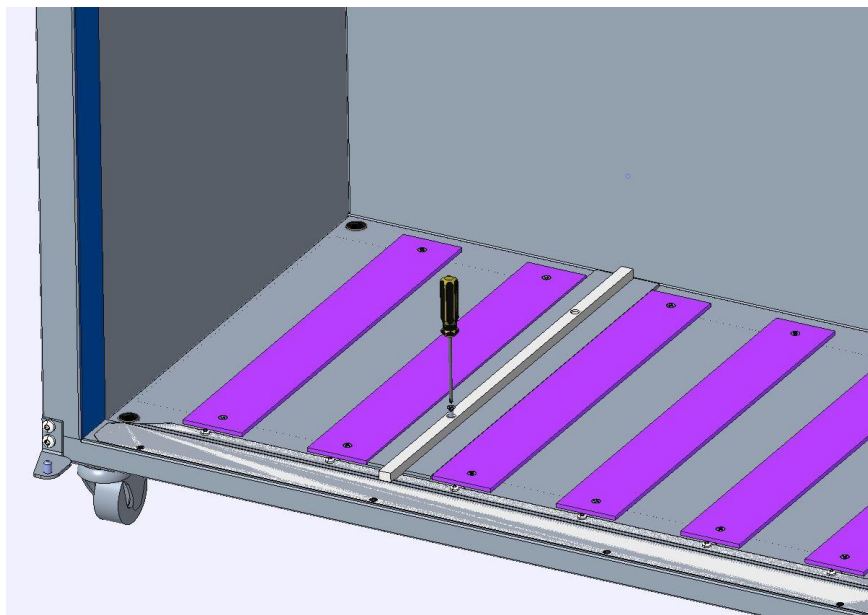


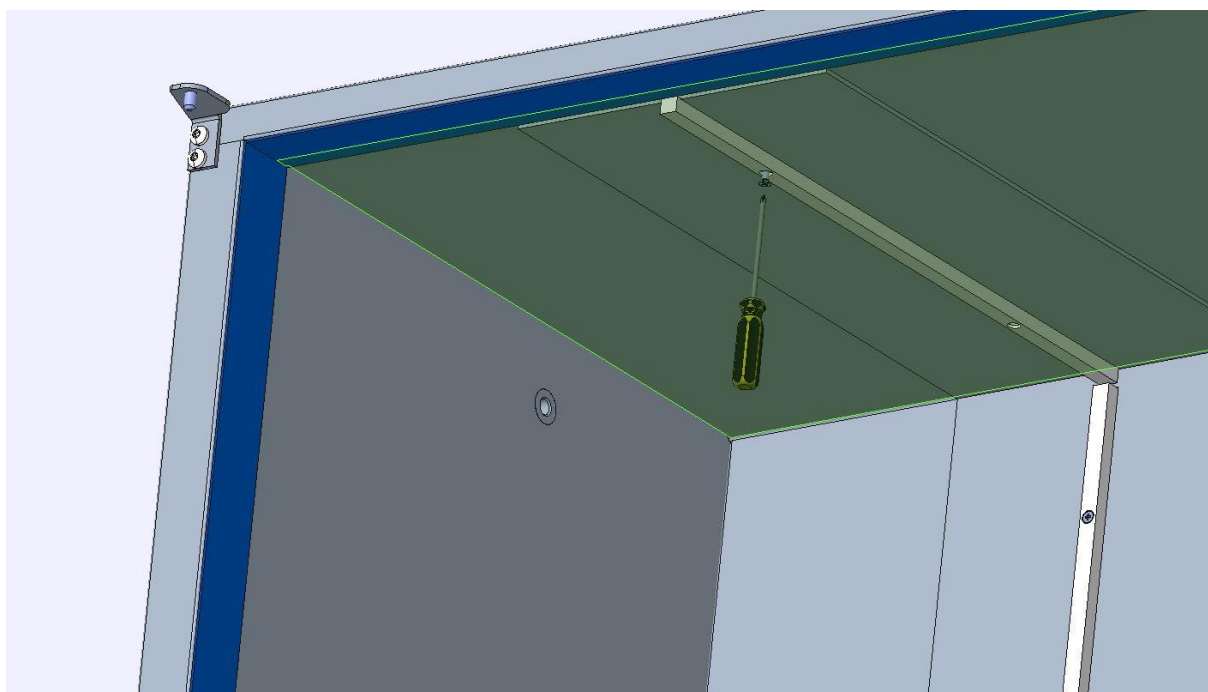
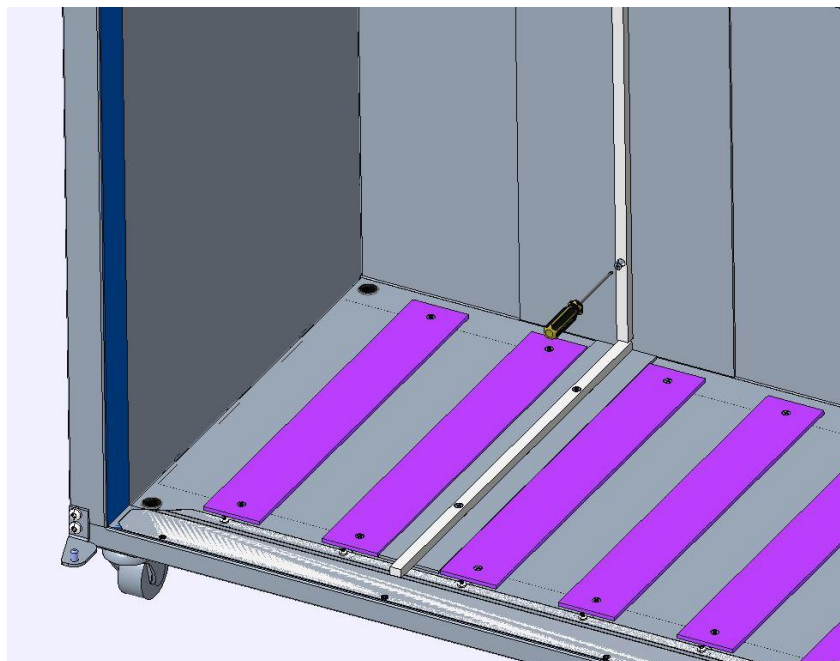
3. Drill marked holes with drill diameter 3 mm. **CAUTION : Only inside metal sheet plate of KEG cabinet has to be drilled ! Do not damage external sheet plate.**



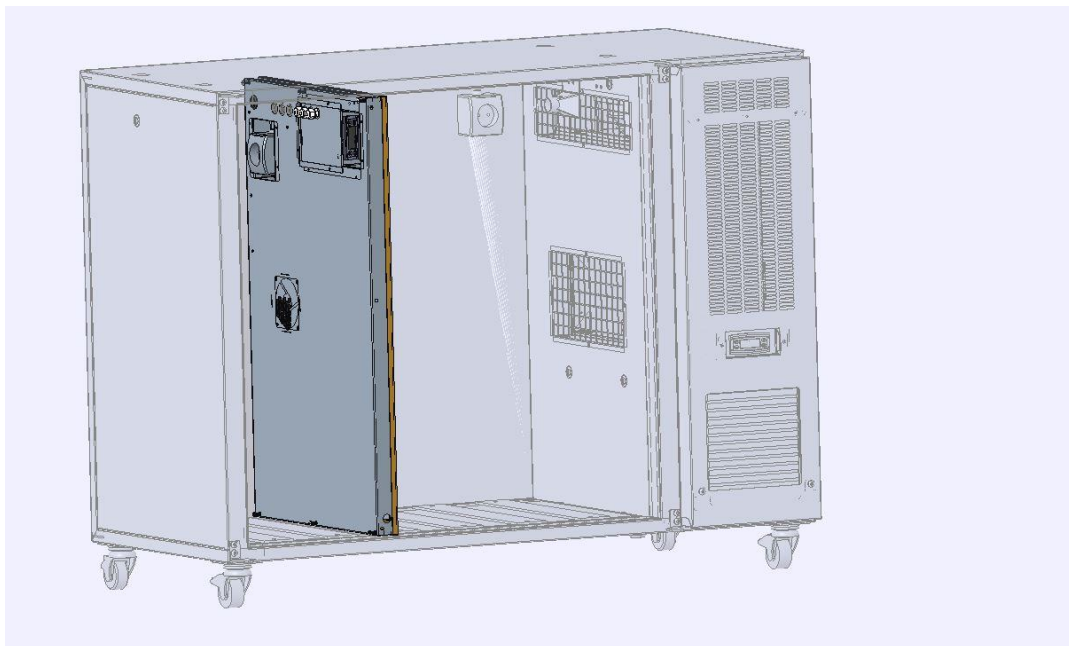
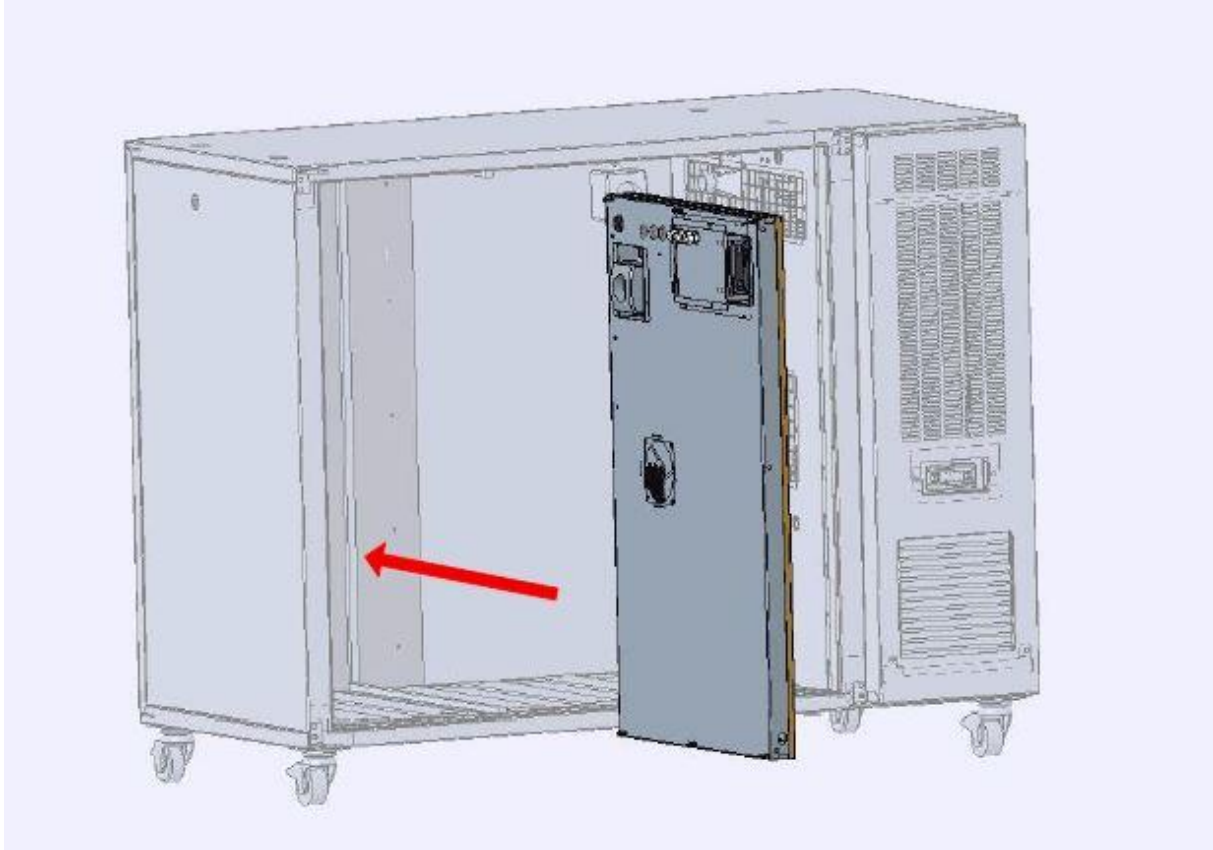


4. Place inserts and screw with screws A3.9x19 A2. White rods of bottom, upper and front insert has to be inline.

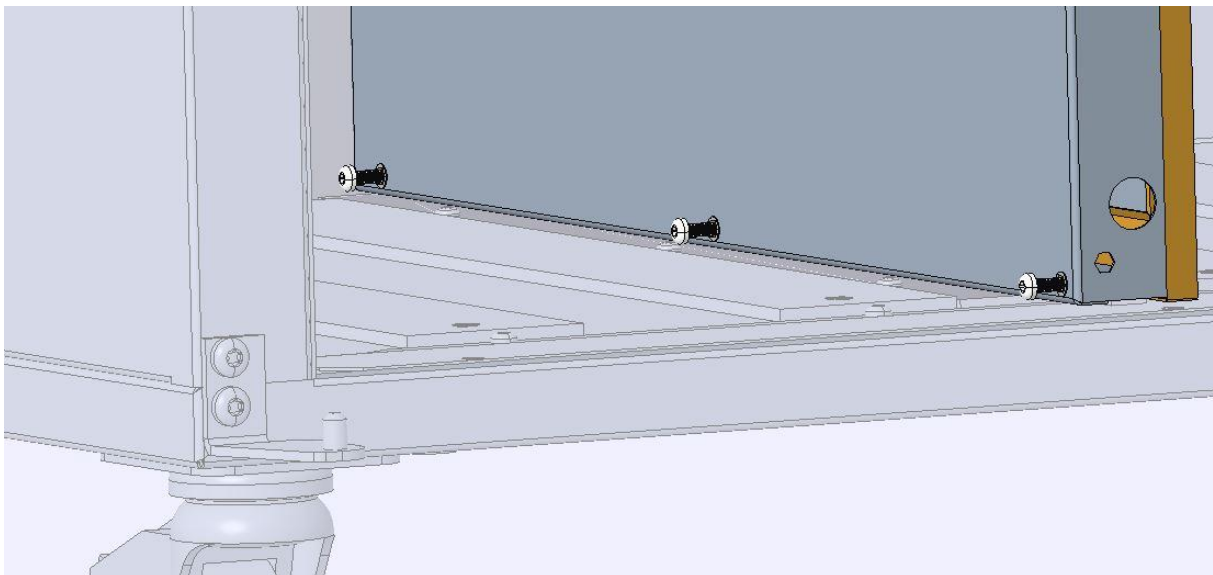
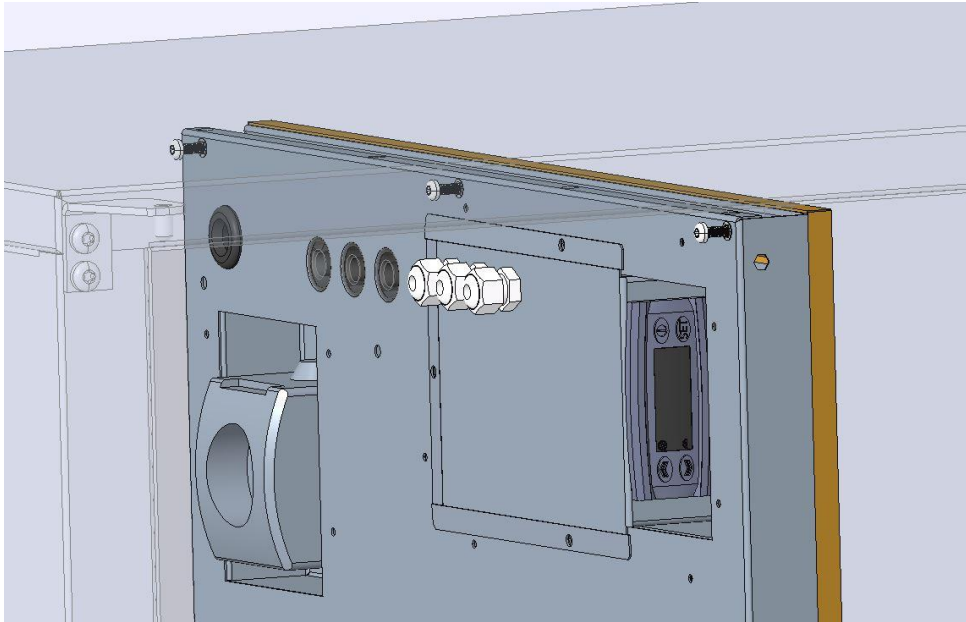




**5. Place the wall into cabinet.**



## 6. Screw up and bottom wall fixing screws



7. Unscrew fixing crews ( b ), adjust slider ( a ) to fit tight to door. Screw fixing screws ( b ) again .

